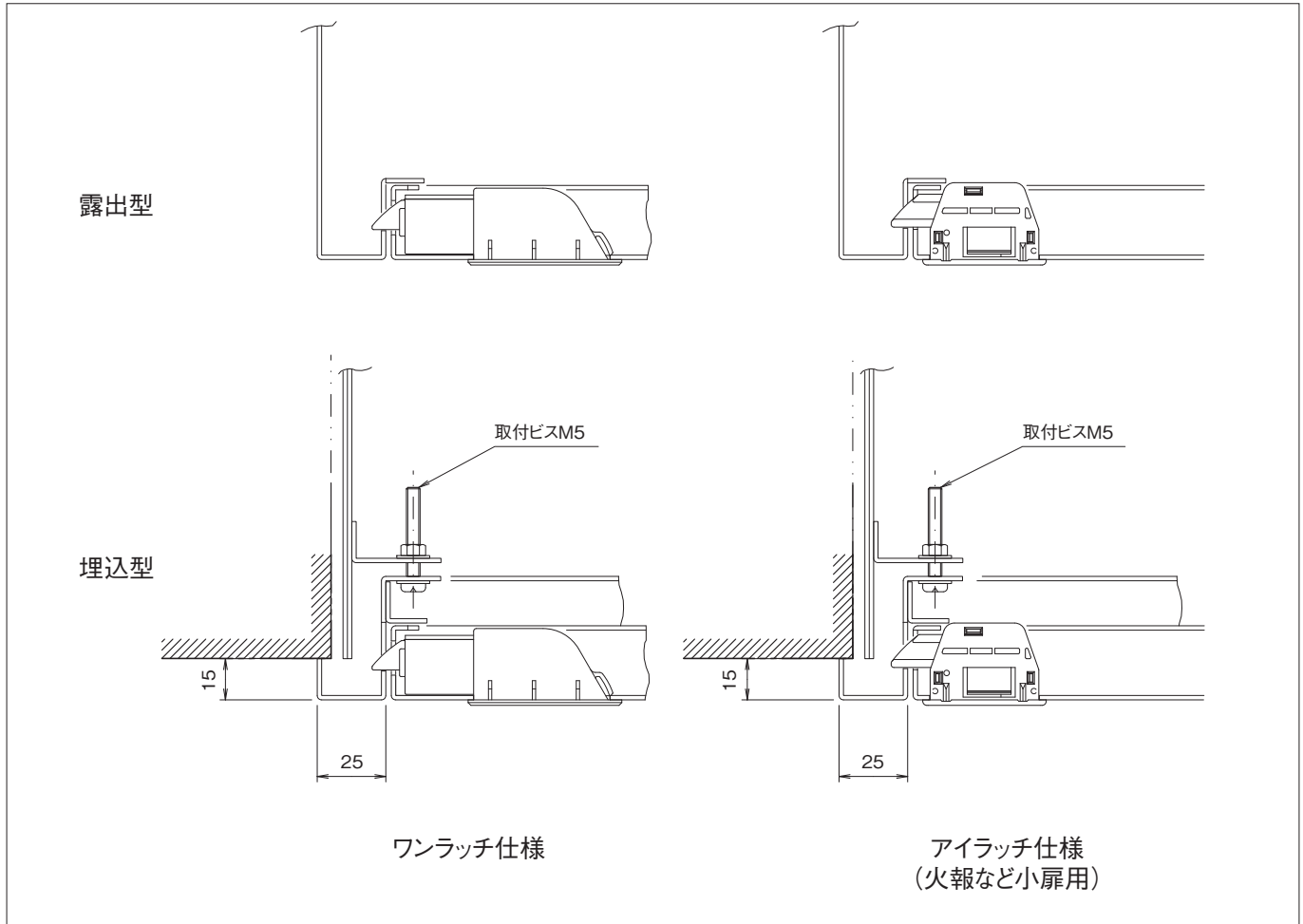
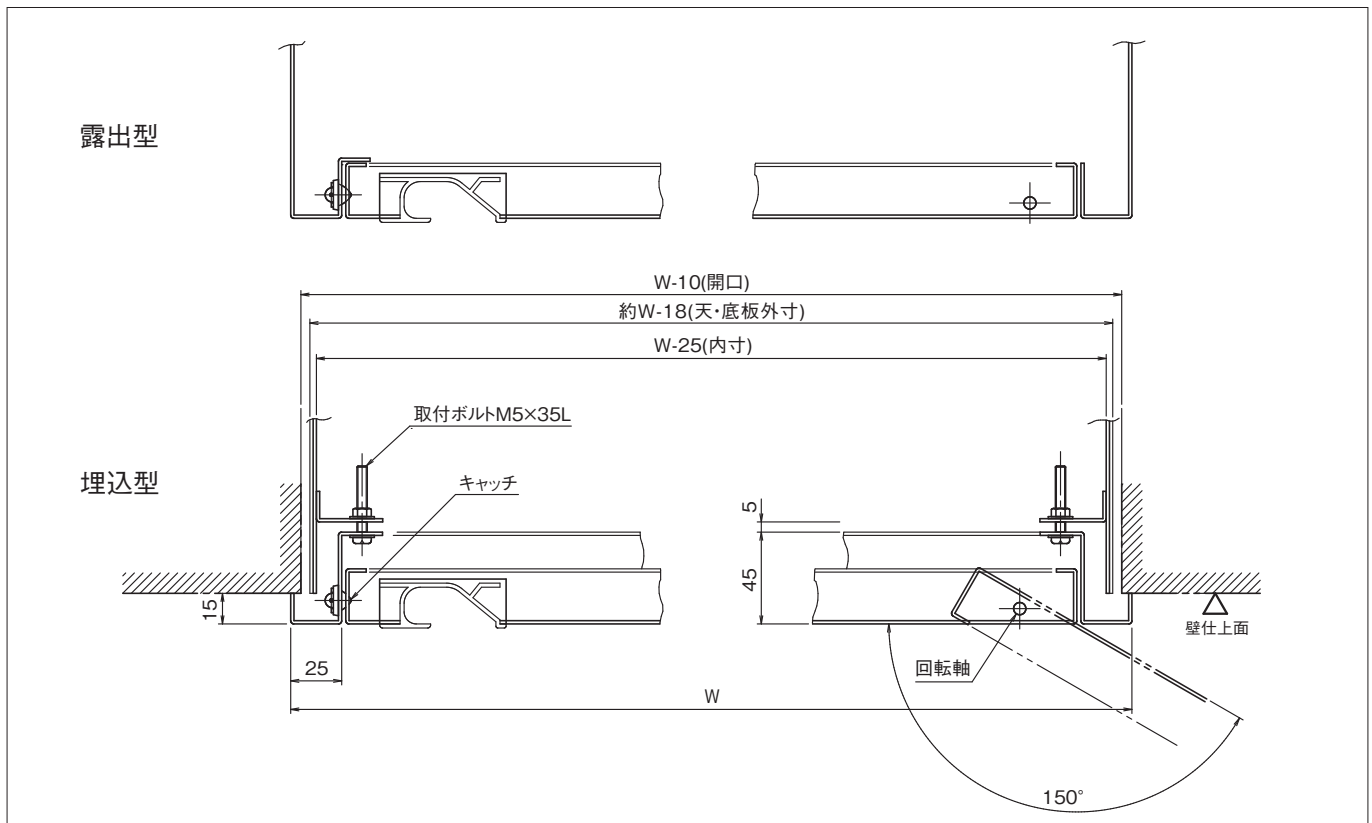


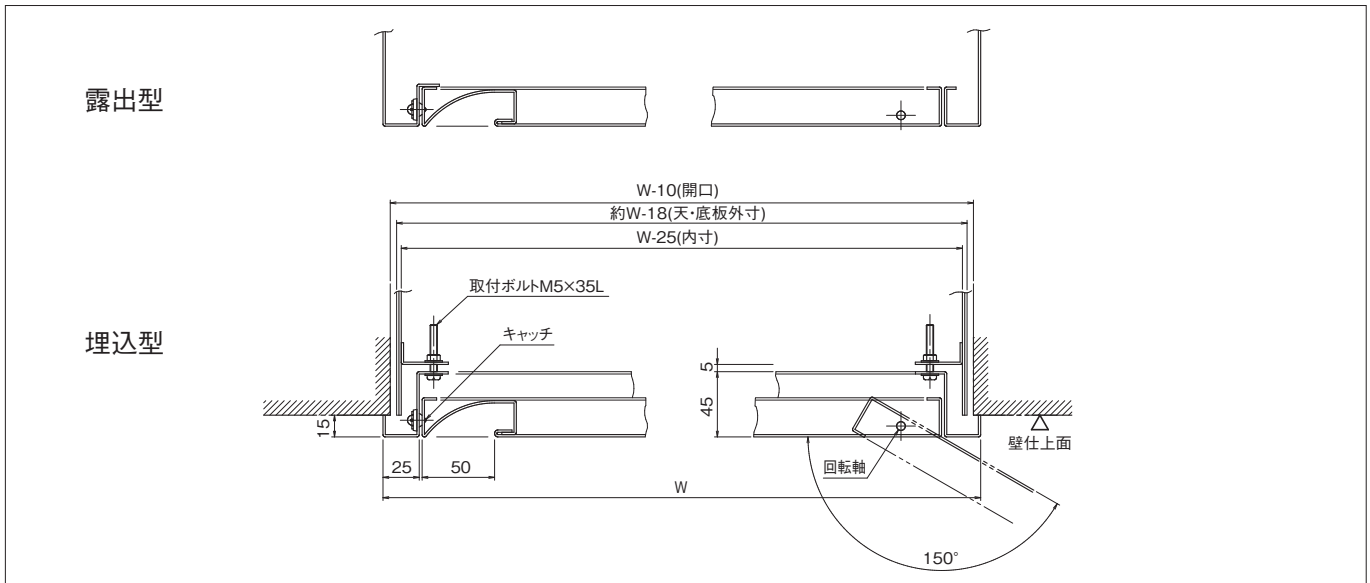
## 埋込取手仕様



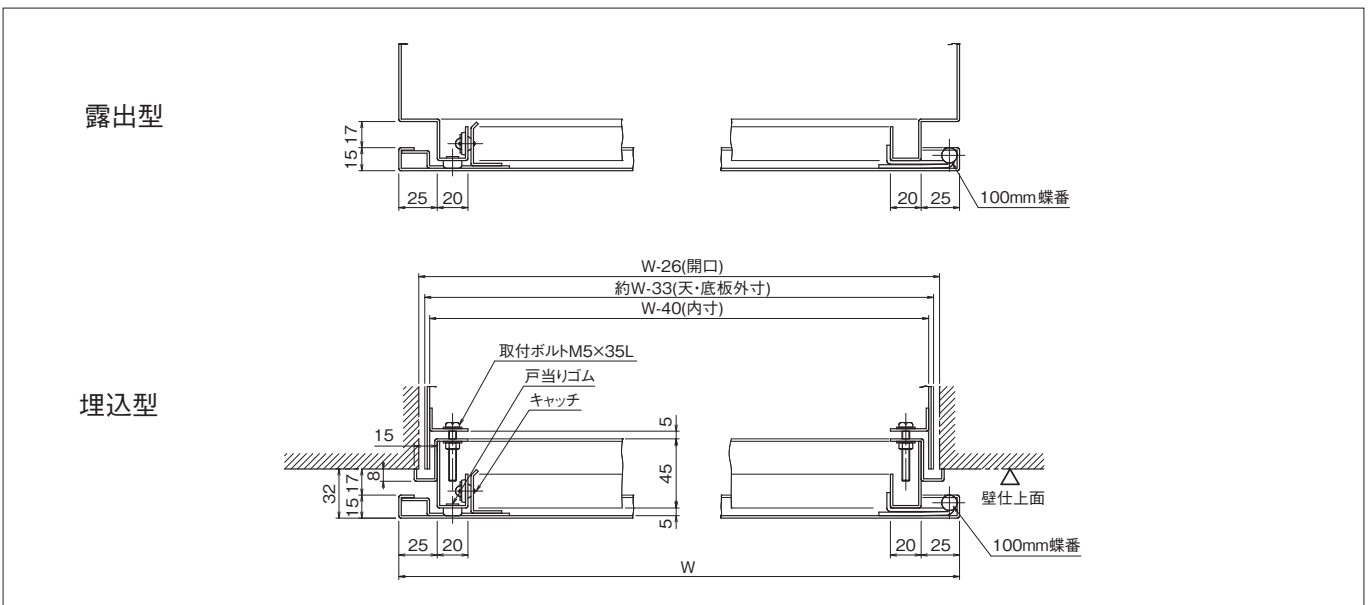
## 一般型



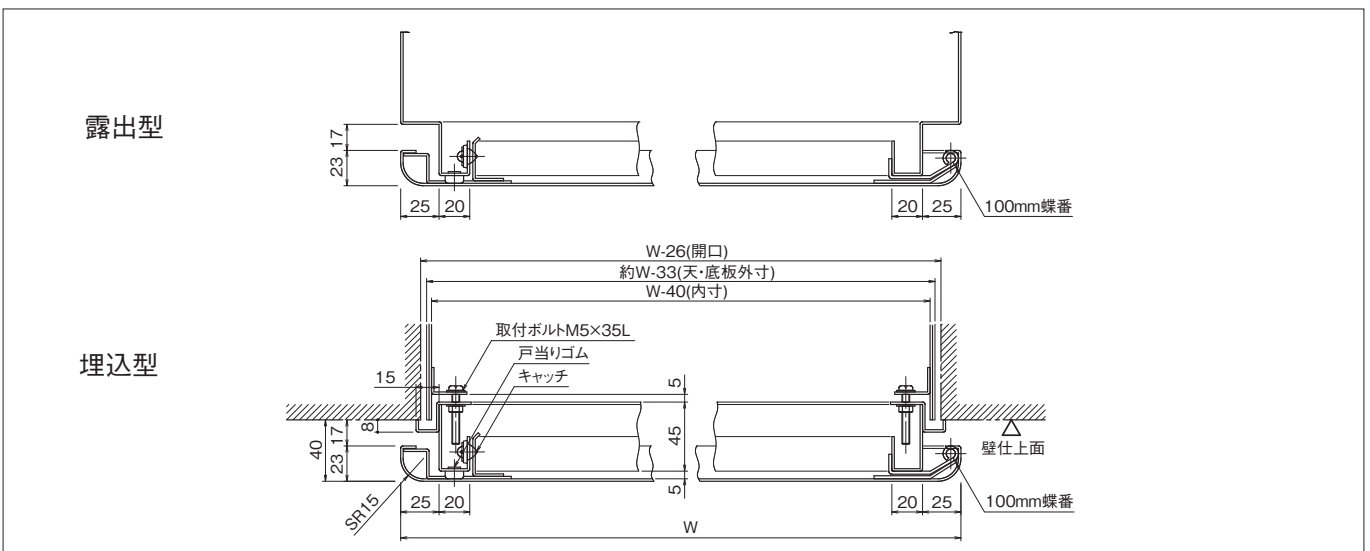
## 公共建築工事標準仕様



## 全平面型・全平面角R型



## 全平面全R型



# 格納箱質量表

## 二段式

(単位:kg)

180D		1000H	1050	1100	1150	1200	1250	1300	1350	1400	1450	1500
600W	露出	30.0	31.5	32.5	33.5	34.5	35.5	37.0	38.0	39.0	40.0	41.0
	埋込	33.0	34.5	35.5	36.5	37.5	38.5	40.0	41.0	42.0	43.0	44.0
650	露出	32.0	33.5	34.5	35.5	36.5	38.0	39.0	40.0	41.0	42.5	43.5
	埋込	35.0	36.5	37.5	38.5	39.5	41.0	42.0	43.0	44.0	45.5	46.5
700	露出	33.5	35.0	36.0	37.5	38.5	40.0	41.0	42.5	43.5	45.0	46.0
	埋込	36.5	38.0	39.0	40.5	41.5	43.0	44.0	45.5	46.5	48.0	49.0
750	露出	35.5	37.0	38.0	40.0	41.0	42.0	43.5	45.0	46.0	47.5	48.5
	埋込	38.5	40.0	41.0	43.0	44.0	45.0	46.5	48.0	49.0	50.5	51.5
800	露出	37.0	38.5	40.0	41.5	43.0	44.5	46.0	47.0	48.5	50.0	51.0
	埋込	40.0	41.5	43.0	44.5	46.0	47.5	49.0	50.0	51.5	53.0	54.0
850	露出	39.0	40.5	42.0	43.0	45.5	46.5	48.0	49.5	51.0	52.5	54.0
	埋込	42.0	43.5	45.0	46.0	48.5	49.5	51.0	52.5	54.0	55.5	57.0
900	露出	40.5	42.5	43.5	45.0	47.5	49.0	50.5	52.0	53.5	55.0	56.5
	埋込	43.5	45.5	46.5	48.0	50.5	52.0	53.5	55.0	56.5	58.0	59.5
950	露出	42.5	44.0	45.5	47.0	49.5	51.5	53.0	54.5	56.0	57.5	59.0
	埋込	45.5	47.0	48.5	50.0	52.5	54.5	56.0	57.5	59.0	60.5	62.0

200D		1000H	1050	1100	1150	1200	1250	1300	1350	1400	1450	1500
600W	露出	31.5	32.5	33.5	34.5	35.5	37.0	38.0	39.0	40.0	41.0	42.5
	埋込	34.5	35.5	36.5	37.5	38.5	40.0	41.0	42.0	43.0	44.0	45.5
650	露出	33.0	34.5	35.5	36.5	38.0	39.0	40.0	41.5	42.5	43.5	44.5
	埋込	36.0	37.5	38.5	39.5	41.0	42.0	43.0	44.5	45.5	46.5	47.5
700	露出	35.0	35.0	37.5	38.5	40.0	41.0	42.5	43.5	45.0	46.0	47.5
	埋込	38.0	38.0	40.5	41.5	43.0	44.0	45.5	46.5	48.0	49.0	50.5
750	露出	36.5	38.0	39.0	40.5	42.0	43.5	44.5	46.0	47.5	48.5	50.0
	埋込	39.5	41.0	42.0	43.5	45.0	46.5	47.5	49.0	50.5	51.5	53.0
800	露出	38.5	39.5	41.0	42.5	44.5	45.5	47.0	48.5	50.0	51.0	52.5
	埋込	41.5	42.5	44.0	45.5	47.5	48.5	50.0	51.5	53.0	54.0	55.5
850	露出	40.0	41.5	43.0	44.5	46.5	48.0	49.5	51.0	52.5	53.5	55.0
	埋込	43.0	44.5	46.0	47.5	49.5	51.0	52.5	54.0	55.5	56.5	58.0
900	露出	42.0	43.5	45.0	46.5	49.0	50.5	52.0	53.0	54.5	56.0	57.5
	埋込	45.0	46.5	48.0	49.5	52.0	53.5	55.0	56.0	57.5	59.0	60.5
950	露出	43.5	45.5	47.0	48.5	51.0	52.5	54.0	55.5	57.0	59.0	60.5
	埋込	46.5	48.5	50.0	51.5	54.0	55.5	57.0	58.5	60.0	62.0	63.5

230D		1000H	1050	1100	1150	1200	1250	1300	1350	1400	1450	1500
600W	露出	33.0	34.0	35.0	36.0	37.5	38.5	39.5	40.5	42.0	43.0	44.0
	埋込	36.0	37.0	38.0	39.0	40.5	41.5	42.5	43.5	45.5	46.0	47.0
650	露出	34.5	36.0	37.0	38.0	39.5	40.5	42.0	43.0	44.0	45.5	46.5
	埋込	37.5	39.0	40.0	41.0	42.5	43.5	45.0	46.0	47.0	48.5	49.5
700	露出	36.5	37.5	39.0	40.0	41.5	43.0	44.0	45.5	46.5	48.0	49.0
	埋込	39.5	40.5	42.0	43.0	44.5	46.0	47.0	48.5	49.5	51.0	52.0
750	露出	38.5	39.5	41.0	42.0	44.0	45.0	46.5	48.0	49.0	50.5	52.0
	埋込	41.5	42.5	44.0	45.0	47.0	48.0	49.5	51.0	52.0	53.5	55.0
800	露出	40.0	41.5	43.0	44.5	46.0	47.5	49.0	50.5	52.0	53.0	54.5
	埋込	43.0	44.5	46.0	47.5	49.0	50.5	52.0	53.5	55.0	56.0	57.5
850	露出	42.0	43.5	45.0	46.5	48.5	50.0	51.5	53.0	54.5	56.0	57.5
	埋込	45.0	46.5	48.0	49.5	51.5	53.0	54.5	56.0	57.5	59.0	60.5
900	露出	44.0	45.5	47.0	48.5	50.5	52.0	54.0	55.5	57.0	58.5	60.0
	埋込	47.0	48.5	50.0	51.5	53.5	55.0	57.0	58.5	60.0	61.5	63.0
950	露出	45.5	47.0	48.5	50.5	53.0	54.5	56.0	58.0	59.5	61.0	62.5
	埋込	48.5	50.0	51.5	53.5	56.0	57.5	59.0	61.0	62.5	64.0	65.5

# 格納箱質量表

## 一段式

(単位:kg)

180D	900H	950	1000	1050	1100
600W	26.5(28.5)	27.5(29.0)	28.5(31.0)	30.0(32.0)	31.0(33.5)
650	28.0(30.0)	29.5(31.0)	30.5(32.5)	31.5(34.0)	33.0(35.0)
700	29.5(31.5)	31.0(32.5)	32.5(34.5)	33.5(36.0)	35.0(37.0)
750	31.5(33.0)	32.5(34.5)	34.0(36.5)	35.5(38.0)	37.0(39.0)
800	33.0(34.5)	34.5(36.0)	36.0(38.0)	37.5(39.5)	38.5(41.0)
850	34.5(36.0)	36.0(37.5)	37.5(40.0)	39.0(41.5)	40.5(43.0)
900	36.5(37.5)	38.0(39.5)	39.5(42.0)	41.0(43.5)	42.5(45.0)

200D	900H	950	1000	1050	1100
600W	27.0(29.0)	28.5(30.0)	29.5(31.5)	30.5(33.0)	32.0(34.0)
650	29.0(31.0)	30.0(31.5)	31.5(33.5)	32.5(35.0)	33.5(36.0)
700	30.5(32.5)	32.0(33.5)	33.0(35.5)	34.5(36.5)	35.5(38.0)
750	32.0(34.0)	33.5(35.0)	35.0(37.0)	36.5(38.5)	37.5(40.0)
800	34.0(35.5)	35.5(37.0)	37.0(39.0)	38.0(40.5)	39.5(42.0)
850	35.5(37.0)	37.0(38.5)	38.5(41.0)	40.0(42.5)	41.5(44.0)
900	37.5(38.0)	39.0(40.0)	40.5(42.5)	42.0(44.0)	43.5(46.0)

230D	900H	950	1000	1050	1100
600W	28.5(30.5)	29.5(31.5)	30.5(33.0)	32.0(34.0)	33.0(35.5)
650	30.0(32.5)	31.5(33.0)	32.5(35.0)	34.0(36.0)	35.0(37.5)
700	31.5(34.0)	33.0(35.0)	34.5(37.0)	35.5(38.0)	37.0(39.0)
750	33.5(35.0)	35.0(36.5)	36.0(38.5)	37.5(40.0)	39.0(41.0)
800	35.0(36.5)	36.5(38.0)	38.0(40.5)	39.5(41.5)	41.0(43.0)
850	37.0(38.0)	38.5(40.0)	40.0(42.5)	41.5(43.5)	43.0(45.0)
900	38.5(39.5)	40.0(41.5)	42.0(44.0)	43.5(46.5)	45.0(47.0)

## 放水口(二段式)

230D	500H	600	700	800	900
300W	11.5(12.5)	13.0(14.0)	14.5(15.5)	16.0(17.0)	17.5(18.5)
350	13.0(14.0)	14.5(15.5)	16.0(17.0)	17.5(18.5)	19.5(20.5)
400	14.0(15.0)	15.5(16.5)	17.5(18.5)	19.5(20.5)	21.0(22.0)
450	15.0(16.0)	17.0(18.0)	19.0(20.0)	21.0(22.0)	23.0(24.0)
500	16.5(17.5)	18.5(19.5)	20.5(21.5)	22.5(23.5)	24.5(25.5)
550	17.5(18.5)	20.0(21.0)	22.0(23.0)	24.0(25.0)	26.0(27.0)
600	19.0(20.0)	21.0(22.0)	23.5(24.5)	25.5(26.5)	28.0(29.0)

## 放水口(一段式)

230D	500H	600	700	800	900
300W	8.5(9.5)	9.5(10.5)	10.5(11.5)	12.0(13.0)	13.0(14.0)
350	9.0(10.0)	10.5(11.5)	11.5(12.5)	12.5(13.5)	14.0(15.0)
400	10.0(11.0)	11.0(12.0)	12.5(13.5)	13.5(14.5)	15.0(16.0)
450	10.5(11.5)	12.0(13.0)	13.0(14.0)	14.5(15.5)	16.0(17.0)
500	11.0(12.0)	12.5(13.5)	14.0(15.0)	15.5(16.5)	17.0(18.0)
550	12.0(13.0)	13.5(14.5)	15.0(16.0)	16.5(17.5)	18.0(19.0)
600	12.5(13.5)	14.0(15.0)	16.0(17.0)	17.5(18.5)	19.0(20.0)

( )内は埋込とする。